

GLASS IS LIFE™

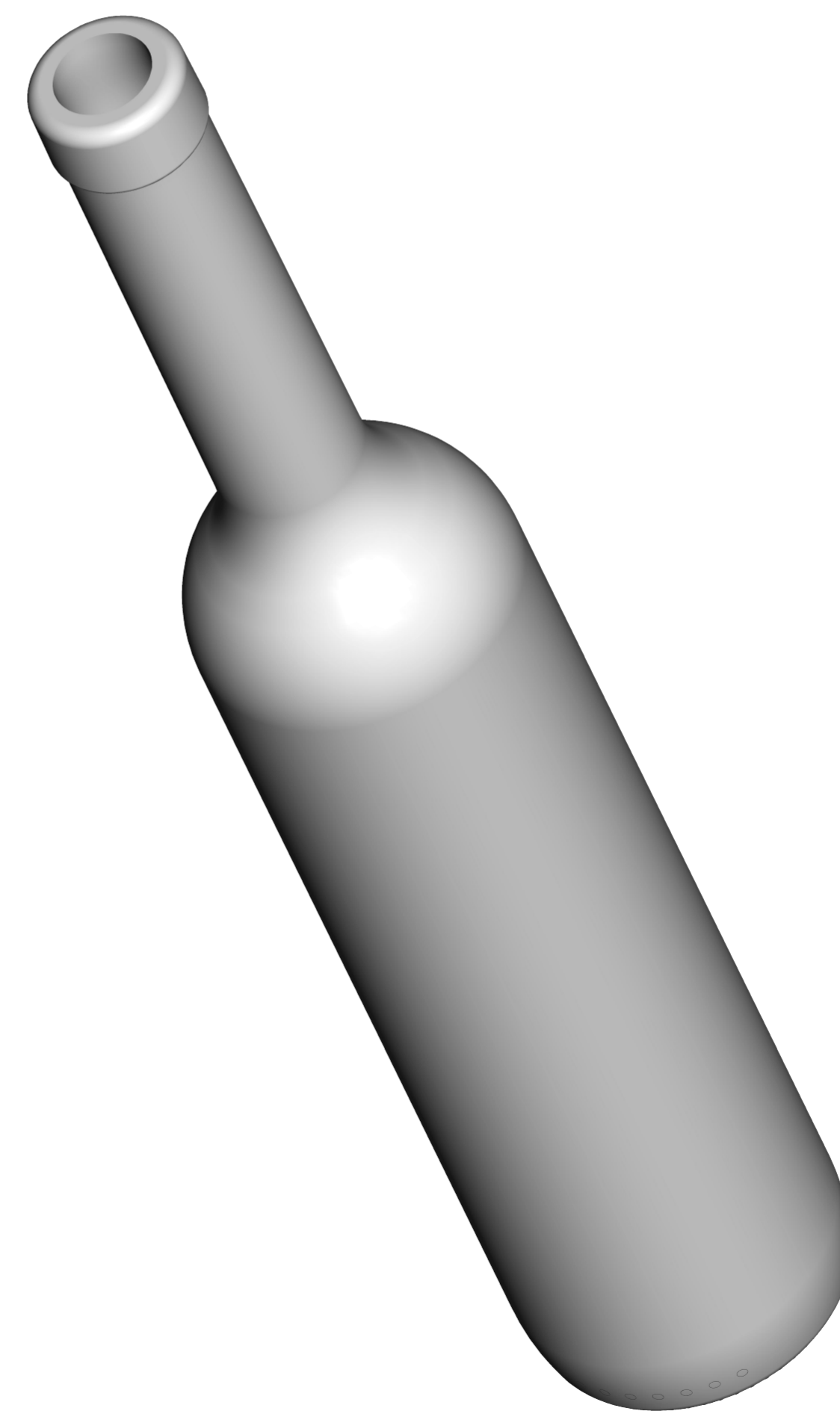
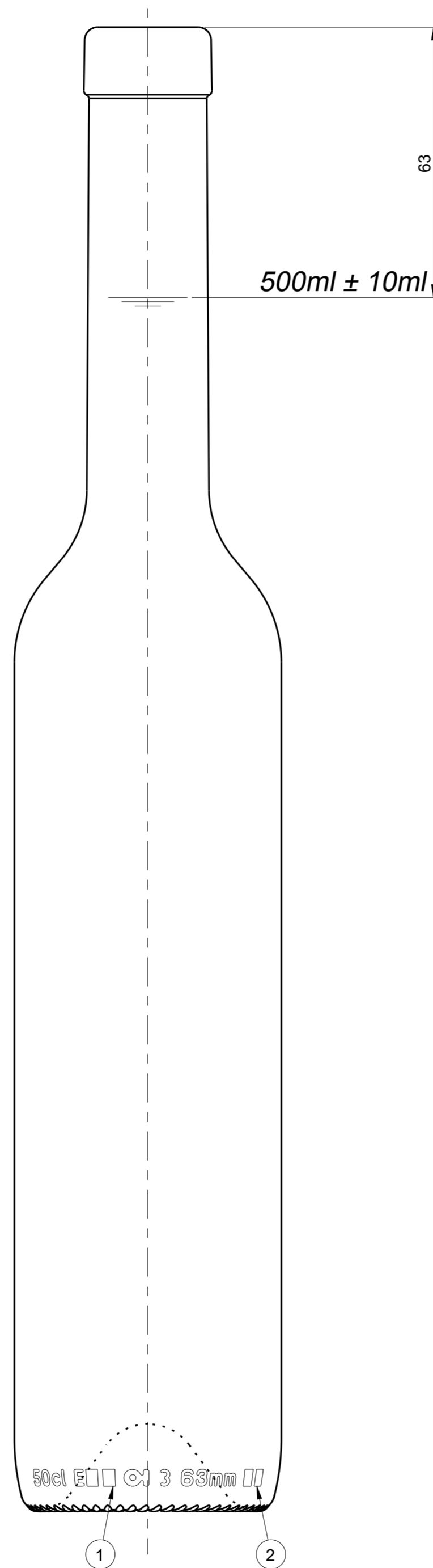
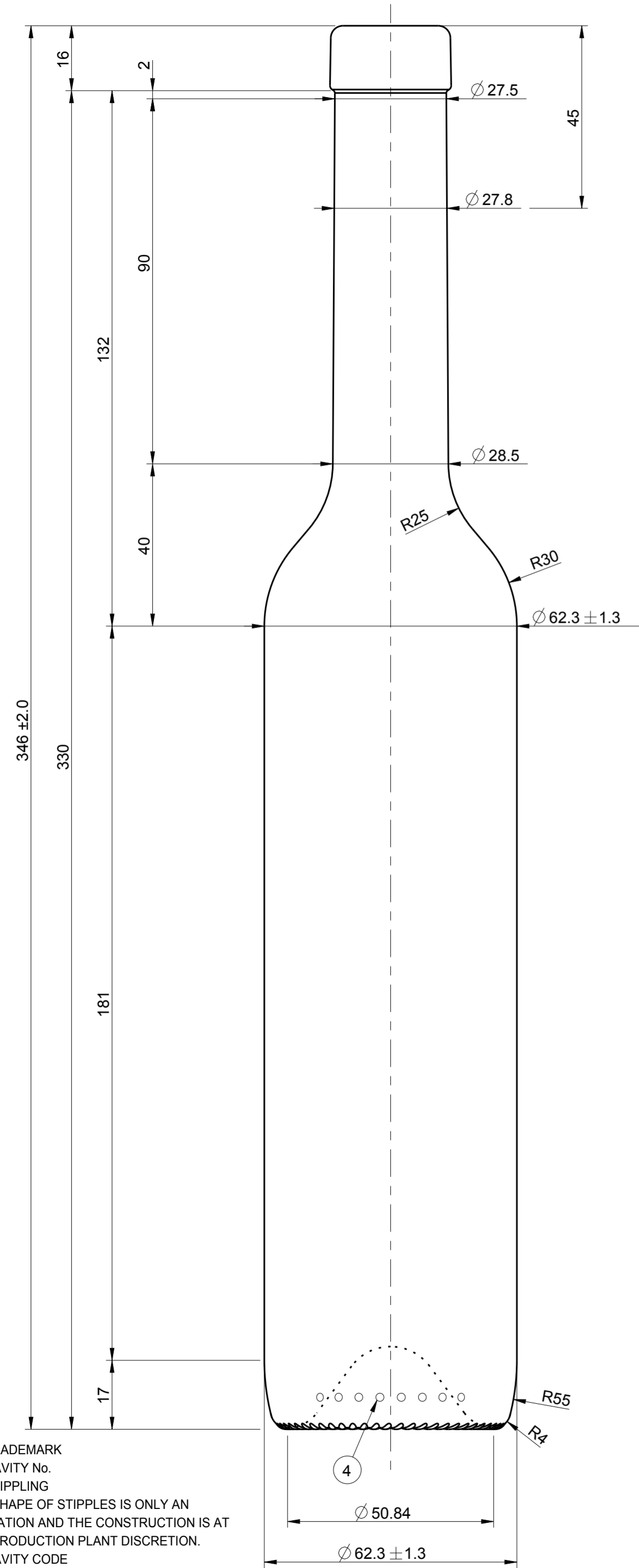
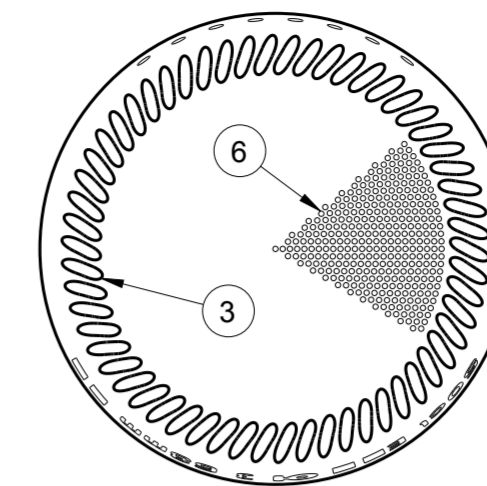
O-I makers of pure, sustainable,
brand-building glass packaging

O-I Sales and Distribution Italy s.r.l.

Via 1° Maggio, 18
21040 Origgioglia, Italy
Tel. +39 0243453.1

CONTAINER & MOULD ENGINEERING

EUROPE



NOTES:
THIS DRAWING IS THE PROPERTY OF O-I AND
MUST NOT BE REPRODUCED OR DISCLOSED
WITHOUT O-I WRITTEN AUTHORIZATION.

DIMENSIONS EXPRESSED IN mm
ONLY TOLERANCED DIMENSIONS ARE GUARANTEED.

MANUFACTURING MARKINGS SHOWN ARE FOR ILLUSTRATIVE
PURPOSES ONLY. ACTUAL MARKINGS ON CONTAINER
MAY DIFFER, DEPENDANT ON LOCAL LEGISLATION.

- 1 = TRADEMARK
 - 2 = CAVITY No.
 - 3 = STIPPLING
 - THE SHAPE OF STIPPLES IS ONLY AN INDICATION AND THE CONSTRUCTION IS AT THE PRODUCTION PLANT DISCRETION.
 - 4 = CAVITY CODE
 - 6 = KNURLING AT PLANT DISCRETION
- SCALE 1:1

TENTATIVE

CATEGORY WINE		TILT ANGLE 11.42°	
MAX. VERTICALITY TOLERANCE 3.8 mm		MEASURING CONTAINER YES	
FINISH SAP NUMBER 0748		FINISH REF. SPECIAL	
MINIMUM THROUGH BORE 17.5 mm		MAX FILLING TUBE Ø 16 mm	
CONTAINER OVERFLOW CAPACITY (BRIMFUL)			
520ml APPROX.			
CONTAINER RATED CAPACITY (FILLPOINT)			
500ml ± 10ml			
CONTAINER WEIGHT			
500g APPROX.			
FINISH DESIGNATION IT_30_SPECIAL_H160_0748		MAX GAS VOLUME 4 gr/L Co2	
PROCESS	RETURNABLE NO	DESIGN REF. 20657	
STANDARD			
50 cl SVED TFA			
DESIGNER	CD	DATE	24/02/15
CHECKED		DATE	
DRAWING NUMBER 150175		MOULD/SAP NUMBER 00000	

No	DATE	REVISIONS	DESIGN/CHECK